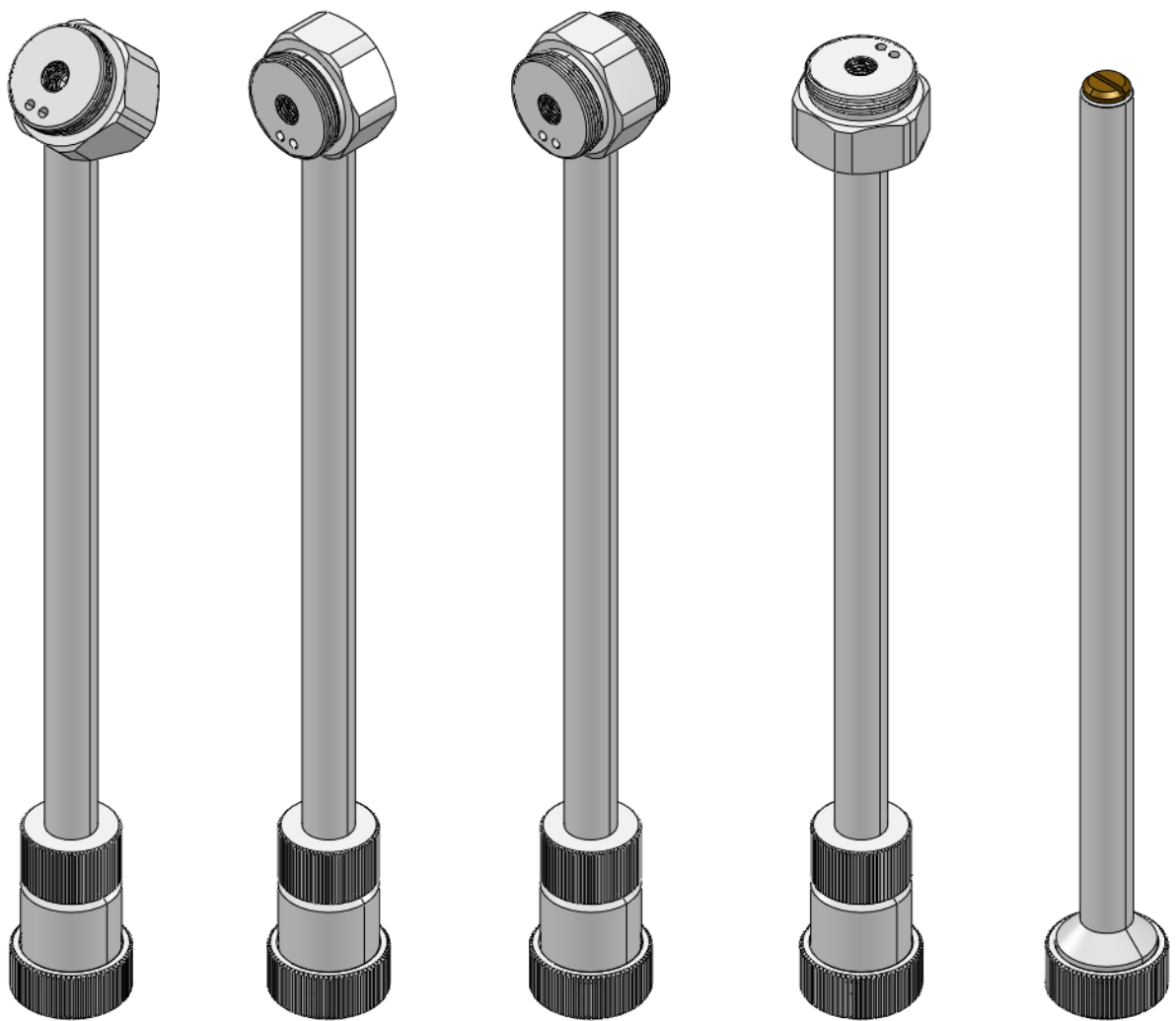


Technical information for Nozzle extension for Spray gun W 3/FZ-Duo



Read the technical information through carefully and keep it safe for future use.

© ALFRED SCHÜTZE Apparatebau GmbH
- Spritztechnik – Spray Technology -
Zeppelinstrasse 2, 28844 Weyhe - Dreye – Germany
Tel.: 0049 (0) 421 / 43510-0; Fax: 0049 (0) 421 / 43510-43
Internet: www.schuetze-gmbh.de
Email: info@schuetze-gmbh.de

© Copyright ALFRED SCHÜTZE Apparatebau GmbH, 2020. All rights reserved.

No part of this document may be reproduced without the permission of ALFRED SCHÜTZE Apparatebau GmbH®.

Doc-ID 1613

1 Identification

Identification data

Manufacturer: Alfred Schütze Apparatebau GmbH
Description: Nozzle extension for
Model: Spray gun W 3/FZ-Duoenglisch
Version: see below (versions)
Year of construction: 2020

Manufacturer

Name: Alfred Schütze Apparatebau GmbH
Address: Zeppelinstrasse 2
28844 Weyhe - Dreye
Phone: +49 (0) 421 43510-0
Fax: +49 (0) 421 43510-43

Details of these Operating Instructions

Doc-ID: 1613
Version/Revision: 00
Date created: 24.02.2020
Last revised: 22.04.2020

This technical information applies to the following versions

<i>W3FZDSVB93</i>	DSV for spray gun W 3/FZ-Duo / 50 mm / straight spraying
<i>W3FZDSV183</i>	DSV for spray gun W 3/FZ-Duo / 100 mm / straight spraying
<i>W3FZDSV013</i>	DSV for spray gun W 3/FZ-Duo / 200 mm / straight spraying
<i>W3FZDSV023</i>	DSV for spray gun W 3/FZ-Duo / 300 mm / straight spraying
<i>W3FZDSV033</i>	DSV for spray gun W 3/FZ-Duo / 400 mm / straight spraying
<i>W3FZDSV043</i>	DSV for spray gun W 3/FZ-Duo / 500 mm / straight spraying
<i>W3FZDSV053</i>	DSV for spray gun W 3/FZ-Duo / 600 mm / straight spraying
	DSV for spray gun W 3/FZ-Duo / 50 mm / 90° double receptacle
	DSV for spray gun W 3/FZ-Duo / 100 mm / 90° double receptacle
<i>W3FZDSV016</i>	DSV for spray gun W 3/FZ-Duo / 200 mm / 90° double receptacle
<i>W3FZDSV026</i>	DSV for spray gun W 3/FZ-Duo / 300 mm / 90° double receptacle
<i>W3FZDSV036</i>	DSV for spray gun W 3/FZ-Duo / 400 mm / 90° double receptacle
<i>W3FZDSV046</i>	DSV for spray gun W 3/FZ-Duo / 500 mm / 90° double receptacle
<i>W3FZDSV056</i>	DSV for spray gun W 3/FZ-Duo / 600 mm / 90° double receptacle

Nozzle extension for Spray gun W 3/FZ-Duo

	DSV for spray gun W 3/FZ-Duo / 50 mm / 90° angled
	DSV for spray gun W 3/FZ-Duo / 100 mm / 90° angled
W3FZDSV011	DSV for spray gun W 3/FZ-Duo / 200 mm / 90° angled
W3FZDSV021	DSV for spray gun W 3/FZ-Duo / 300 mm / 90° angled
W3FZDSV031	DSV for spray gun W 3/FZ-Duo / 400 mm / 90° angled
W3FZDSV041	DSV for spray gun W 3/FZ-Duo / 500 mm / 90° angled
W3FZDSV051	DSV for spray gun W 3/FZ-Duo / 600 mm / 90° angled
	DSV for spray gun W 3/FZ-Duo / 50 mm / 45° angled
W3FZDSV182	DSV for spray gun W 3/FZ-Duo / 100 mm / 45° angled
W3FZDSV012	DSV for spray gun W 3/FZ-Duo / 200 mm / 45° angled
W3FZDSV022	DSV for spray gun W 3/FZ-Duo / 300 mm / 45° angled
W3FZDSV032	DSV for spray gun W 3/FZ-Duo / 400 mm / 45° angled
W3FZDSV042	DSV for spray gun W 3/FZ-Duo / 500 mm / 45° angled
W3FZDSV052	DSV for spray gun W 3/FZ-Duo / 600 mm / 45° angled
W3FZDSVB94	DSV for spray gun W 3/FZ-Duo / 50 mm / 360° circular spray pattern
W3FZDSV184	DSV for spray gun W 3/FZ-Duo / 100 mm / 360° circular spray pattern
W3FZDSV014	DSV for spray gun W 3/FZ-Duo / 200 mm / 360° circular spray pattern
W3FZDSV024	DSV for spray gun W 3/FZ-Duo / 300 mm / 360° circular spray pattern
W3FZDSV034	DSV for spray gun W 3/FZ-Duo / 400 mm / 360° circular spray pattern
W3FZDSV044	DSV for spray gun W 3/FZ-Duo / 500 mm / 360° circular spray pattern
W3FZDSV054	DSV for spray gun W 3/FZ-Duo / 600 mm / 360° circular spray pattern



NOTE!

The illustrations in these instructions may differ slightly from the actual version of the device.

2 Description

Angled nozzle extension:

- Angled spraying available in the following versions:
 - Outer pipe with 90° head
 - Outer pipe with 45° head
 - Outer pipe with 90° double receptacle head

Straight nozzle extension:

- Straight spraying available in the following version:
 - Outer pipe with straight head

Circular spray pattern nozzle extension:

- Circular spray pattern available in the following version:
 - Outer pipe with circular spray pattern (360° hollow cone)

(Ideally suitable for spraying the inside of cylindrical hollow bodies, e.g. pipes).

Standard nominal lengths:

- 50mm, 100 mm, 200 mm, 300 mm, 400 mm, 500 mm, 600 mm

Scope of delivery: complete extension assembly,

Nozzle, air cap and retaining ring are not included in the scope of delivery. These parts can be taken from the gun being equipped.

Refer to the operating instructions for the W3/FZ-Duo fine spray gun for further information on the nozzles, air caps and retaining rings.

Further versions available on request. We reserve the right to make technical changes.

2.1 Exploded view

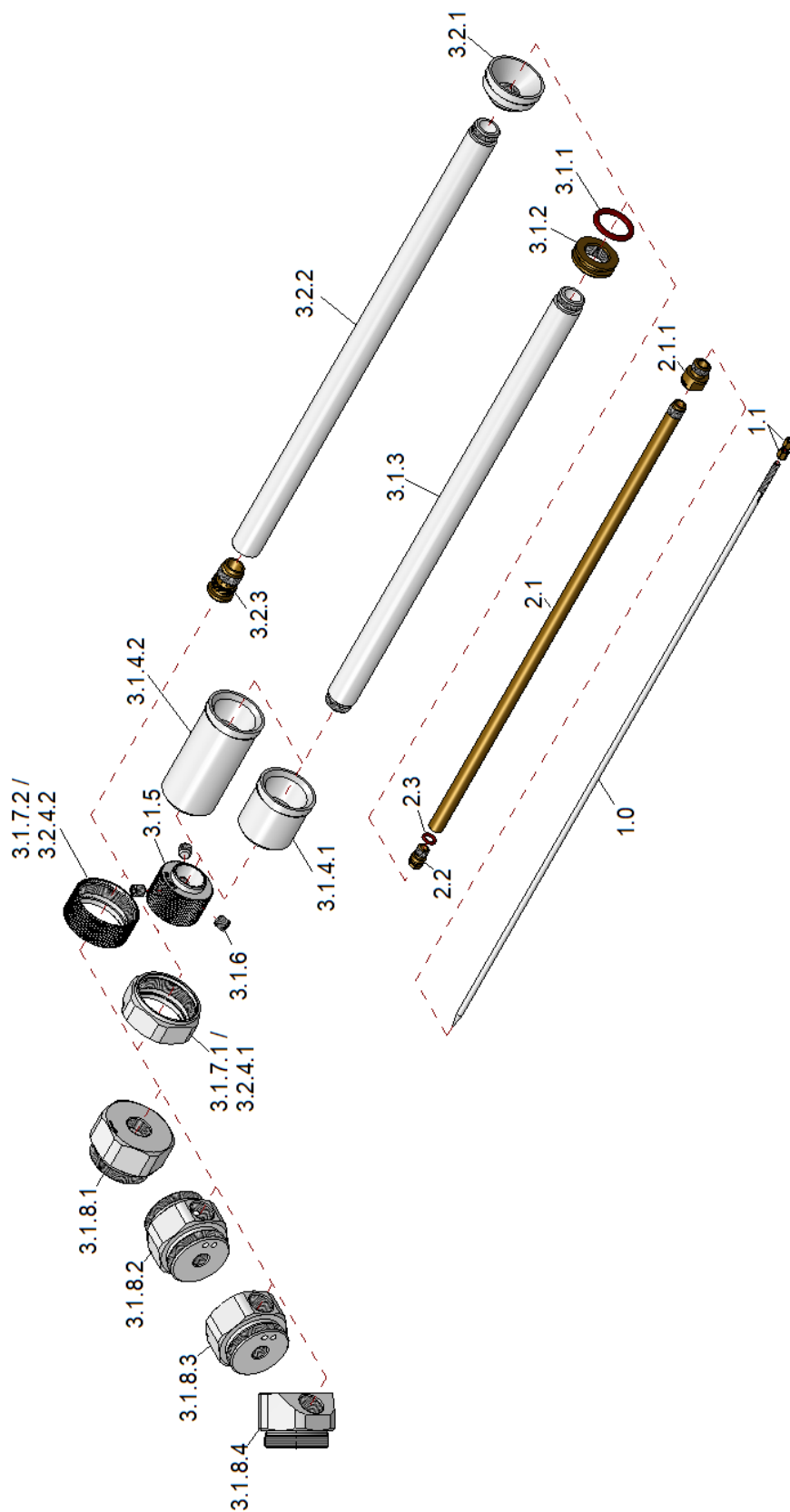


Fig. 2.2/1

2.2 Spare parts list

Drq. no.	Item no.	Qty	Description
1.0	*	1	Needle for extension, nominal length XXX mm, complete
1.1	410026	2	Needle nut, AF size 3 x 3, M2
2.0	*	1	Inner pipe, nominal length XXX mm, complete
2.1	*	1	Inner pipe, nominal length XXX mm, with adapter
2.1.1	220129	1	Inner pipe adapter, dia. 8 x 9,5mm, AF size 6
2.2	210172	1	Inner nozzle for extension
2.3	640000		O-ring 3 x 1 / Viton® (PWIS-free)
3.0	*		Outer extension pipe, complete
3.1	*	1	Outer extension pipe, complete (<i>angled/straight</i>)
3.1.1	640005	1	O-ring 10.82 x 1.78 / Viton® (PWIS-free)
3.1.2	220127	1	Outer pipe adapter, dia. 15 x 5 mm
3.1.3	*	1	Outer pipe, nominal length XXX mm
3.1.4		1	Air pipe sleeve
3.1.4.1	320124		Air pipe sleeve, 20 x 20 mm (<i>DSV up to NM 400 mm</i>)
3.1.4.2	320125		Air pipe sleeve, 20 x 40 mm (<i>DSV NM 500 mm and above</i>)
3.1.5	320123	1	Knurled ring, 19 x 14.5 mm
3.1.6	610019	3	Threaded pin DIN 913 M4 x 4
3.1.7		1	Retaining ring
3.1.7.1	410028		Retaining ring, 23 x 10 mm (<i>DSV up to NM 400 mm</i>)
3.1.7.2	410042		Retaining ring, hexagonal, AF size 24 x 10 mm (<i>DSV NM 500 mm and above</i>)
3.1.8		1	Mounting head
3.1.8.1	220124		Mounting head, straight spraying
3.1.8.2	220289		Double mounting head, 90° angled
3.1.8.3	220125		Mounting head, 90° angled
3.1.8.4	220123		Mounting head, 45° angled, anodised
3.2	*	1	Outer extension pipe, complete (<i>360° circular spray pattern</i>)
3.2.1	320281	1	Outer pipe adapter for rigid extension, 20 x 10.5 mm
3.2.2	*		Outer pipe, circular spray pattern, nominal length XXX mm
3.2.3	210173		Screw-on nozzle for circular spray pattern extension
3.2.4		1	Retaining ring
3.2.4.1	410028		Retaining ring, 23 x 10 mm (<i>DSV up to NM 400 mm</i>)
3.2.4.2	410042		Retaining ring, hexagonal, AF size 24 x 10 mm (<i>DSV NM 500 mm and above</i>)

Nozzle, air cap and retaining ring are not included in the scope of delivery. These parts can be taken from the gun being equipped.

* Item numbers may be found in chapter **2.2.1 "Spare parts and accessories"**

Other sealing materials may be found in Chapter 2.2.1 "Spare parts and accessories"

2.2.1 Spare parts and accessories

Other versions and combinations available on request!

Needle for extension, complete (1.0)	
113189	Needle for extension, nominal length 50 mm, complete
110638	Needle for extension, nominal length 100 mm, complete
110303	Needle for extension, nominal length 200 mm, complete
110304	Needle for extension, nominal length 300 mm, complete
110305	Needle for extension, nominal length 400 mm, complete
110308	Needle for extension, nominal length 500 mm, complete
110309	Needle for extension, nominal length 600 mm, complete

Inner pipe, complete (2.0)	
853398	Inner pipe, nominal length 50 mm, complete
850278	Inner pipe, nominal length 100 mm, complete
850041	Inner pipe, nominal length 200 mm, complete
850042	Inner pipe, nominal length 300 mm, complete
850043	Inner pipe, nominal length 400 mm, complete
850049	Inner pipe, nominal length 500 mm, complete
850050	Inner pipe, nominal length 600 mm, complete

Inner pipe, with adapter (2.1)	
851898	Inner pipe, nominal length 50 mm, with adapter
850213	Inner pipe, nominal length 100 mm, with adapter
850038	Inner pipe, nominal length 200 mm, with adapter
850039	Inner pipe, nominal length 300 mm, with adapter
850040	Inner pipe, nominal length 400 mm, with adapter
850047	Inner pipe, nominal length 500 mm, with adapter
850048	Inner pipe, nominal length 600 mm, with adapter

Outer pipe, 90° angled, complete (3.1)	
	Outer pipe, nominal length 50 mm, 90° angled, complete
VAR061	Outer pipe, nominal length 100 mm, 90° angled, complete
VAR011	Outer pipe, nominal length 200 mm, 90° angled, complete
VAR021	Outer pipe, nominal length 300 mm, 90° angled, complete
VAR031	Outer pipe, nominal length 400 mm, 90° angled, complete
VAR041	Outer pipe, nominal length 500 mm, 90° angled, complete
VAR051	Outer pipe, nominal length 600 mm, 90° angled, complete

Outer pipe, straight spraying, complete (3.1)	
VAR313	Outer pipe, nominal length 50 mm, straight spraying, complete
VAR063	Outer pipe, nominal length 100 mm, straight spraying, complete
VAR013	Outer pipe, nominal length 200 mm, straight spraying, complete
VAR023	Outer pipe, nominal length 300 mm, straight spraying, complete
VAR033	Outer pipe, nominal length 400 mm, straight spraying, complete
VAR043	Outer pipe, nominal length 500 mm, straight spraying, complete
VAR053	Outer pipe, nominal length 600 mm, straight spraying, complete

Outer pipe, double mounting head 90° (3.1)	
	Outer pipe, nominal length 50 mm, double mounting head 90°, complete
	Outer pipe, nominal length 100 mm, double mounting head 90°, complete
VAR016	Outer pipe, nominal length 200 mm, double mounting head 90°, complete
VAR026	Outer pipe, nominal length 300 mm, double mounting head 90°, complete
VAR036	Outer pipe, nominal length 400 mm, double mounting head 90°, complete
VAR046	Outer pipe, nominal length 500 mm, double mounting head 90°, complete
VAR056	Outer pipe, nominal length 600 mm, double mounting head 90°, complete

Outer pipe, 45° angled, complete (3.1)	
	Outer pipe, nominal length 50 mm, 45° angled, complete
VAR062	Outer pipe, nominal length 100 mm, 45° angled, complete
VAR012	Outer pipe, nominal length 200 mm, 45° angled, complete
VAR022	Outer pipe, nominal length 300 mm, 45° angled, complete
VAR032	Outer pipe, nominal length 400 mm, 45° angled, complete
VAR042	Outer pipe, nominal length 500 mm, 45° angled, complete
VAR052	Outer pipe, nominal length 600 mm, 45° angled, complete

Outer pipe, circular spray pattern 360°, complete (3.2)	
VAR314	Outer pipe, nominal length 50 mm, circular spray pattern 360°, complete
VAR064	Outer pipe, nominal length 100 mm, circular spray pattern 360°, complete
VAR014	Outer pipe, nominal length 200 mm, circular spray pattern 360°, complete
VAR024	Outer pipe, nominal length 300 mm, circular spray pattern 360°, complete
VAR034	Outer pipe, nominal length 400 mm, circular spray pattern 360°, complete
VAR044	Outer pipe, nominal length 500 mm, circular spray pattern 360°, complete
VAR054	Outer pipe, nominal length 600 mm, circular spray pattern 360°, complete

Outer pipe, circular spray pattern (3.2.2)	
852968	Outer pipe, nominal length 50 mm, circular spray pattern
850131	Outer pipe, nominal length 100 mm, circular spray pattern
850054	Outer pipe, nominal length 200 mm, circular spray pattern
850055	Outer pipe, nominal length 300 mm, circular spray pattern
850056	Outer pipe, nominal length 400 mm, circular spray pattern
850057	Outer pipe, nominal length 500 mm, circular spray pattern
850058	Outer pipe, nominal length 600 mm, circular spray pattern

Outer pipe (3.1.3)	
850553	Outer pipe, nominal length 50 mm
	Outer pipe, nominal length 100 mm
850035	Outer pipe, nominal length 200 mm
850036	Outer pipe, nominal length 300 mm
850037	Outer pipe, nominal length 400 mm
850051	Outer pipe, nominal length 500 mm
850051	Outer pipe, nominal length 600 mm

Sealing materials (2.3 / 3.1.1)	
640000	O-ring 3 x 1 / Viton®, (PWIS-free)
640030	O-ring 3 x 1 / EPDM / FDA
640492	O-ring 3 x 1 / FKM / FDA
640591	O-ring 3 x 1 / ISOLAST®
640280	O-ring 3 x 1 / NBR
640613	O-ring 3 x 1 / PTFE
640658	O-ring 3 x 1 / Kalrez®
640462	O-ring 3 x 1 / Silicone
640005	O-ring 10.82 x 1.78 / Viton
640409	O-ring 10.82 x 1.78 / ISOLAST®
640647	O-ring 10.82 x 1.78 / EPDM / FDA